

DEMA[®]

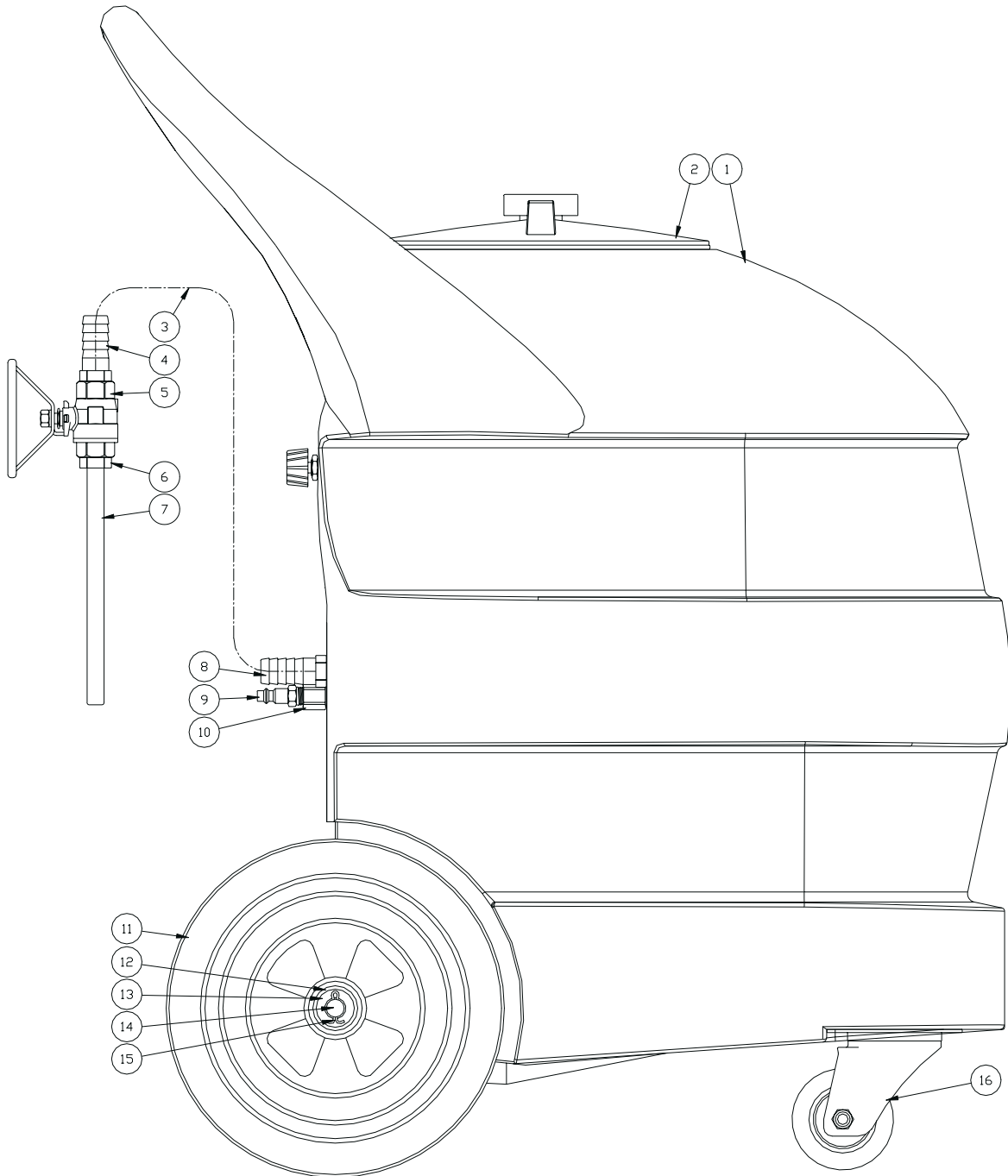
FI-25



OWNER'S MANUAL



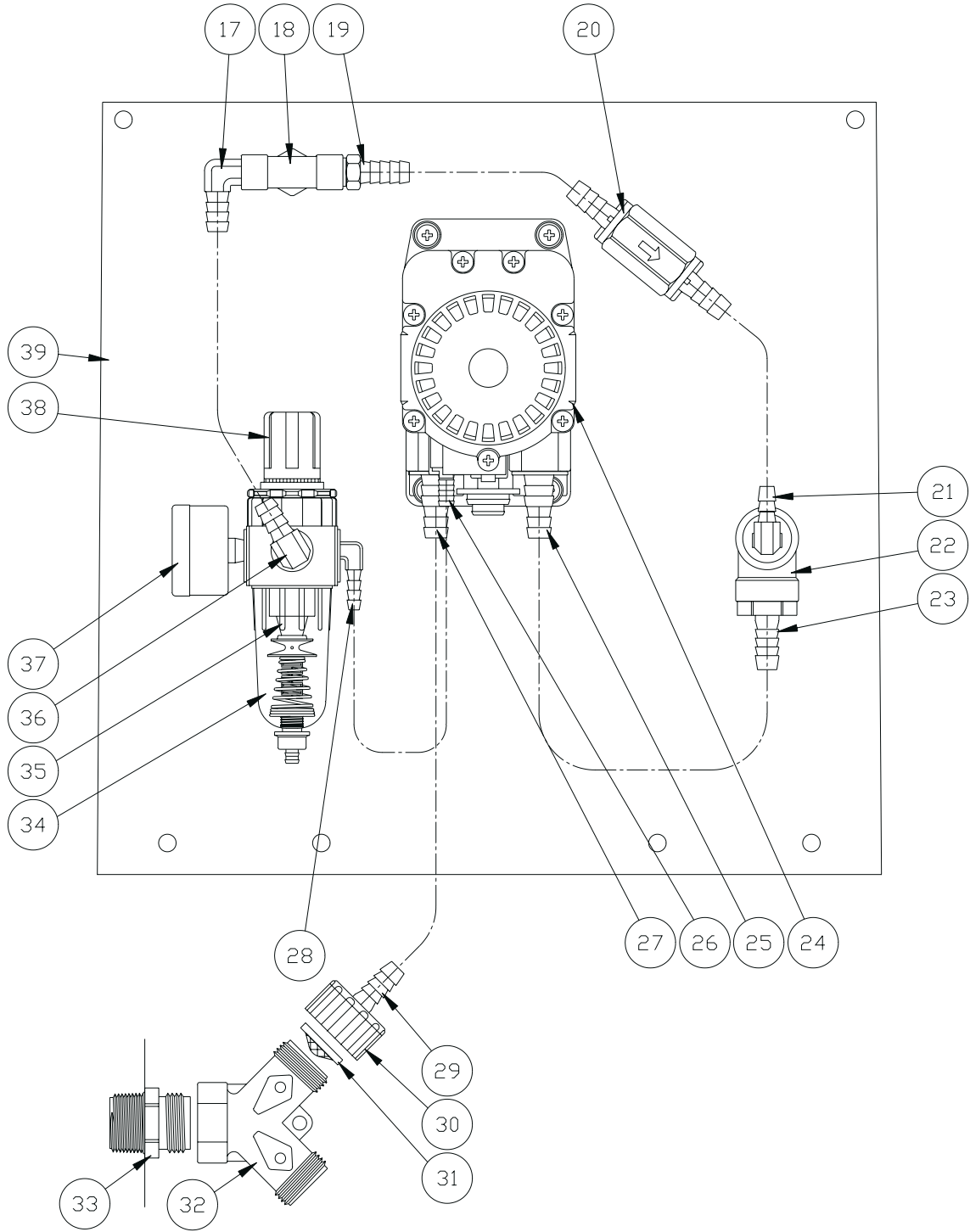
FI-25



SIDE VIEW



FI-25



INSIDE VIEW - CONTROL PANEL



FI-25

PARTS LIST

| ITEM | PART NO. | DESCRIPTION |
|------|--------------|--|
| 1 | TANK25 | 25 GALLON MOLDED TANK |
| 2 | DFP8 | 8" CAP FOR 25 GALLON TANK |
| 3 | H34-30' | FOAM DISCHARGE HOSE 3/4" ID x 30' |
| 4 | HBSS1234 | S.S. HOSE BARB 1/2" MPT x 3/4" BARB |
| 5 | HV60 | S.S. BALL VALVE 1/2" FPT |
| 6 | HHSB1238 | S.S. BUSHING 1/2" MPT x 3/8" FPT |
| 7 | W387 | S.S. FOAM WAND |
| 8 | HBSS1234 | S.S. HOSE BARB 1/2" MPT x 3/4" BARB |
| 9 | AP25 | MALE AIR PLUG |
| 10 | BA25 | ADAPTER 1/4" FPT x 1/4" MPT |
| 11 | W15 | WHEEL FOR 15 GALLON UNIT |
| 12 | WB5 | PLASTIC WHEEL BUSHING |
| 13 | FWAX15 | S.S. AXLE WASHER |
| 14 | SSAXLE581938 | S.S. AXLE |
| 15 | COT | S.S. COTTER PINS |
| 16 | CST3SS | S.S. SWIVEL CASTERS |
| 17 | HBEL1438 | HOSE BARB ELBOW 1/4" MPT x 3/8" BARB |
| 18 | NV14Y | NEEDLE VALVE (WET FOAM / DRY FOAM) |
| 19 | HBB1438 | HOSE BARB 1/4" MPT x 3/8" BARB |
| 20 | CV38 | PVC CHECK VALVE |
| 21 | HBEL1238 | BRASS HOSE BARB ELBOW 1/2" MPT x 3/8" BARB |
| 22 | SST12 | S.S. TEE 1/2" FPT |
| 23 | HBSS1238 | S.S. HOSE BARB 1/2" MPT x 3/8" BARB |
| 24 | P56 | PUMP |
| 25 | HB5638 | PUMP HOSE BARB 3/8" |
| 26 | HB14P | PUMP AIR INLET HOSE BARB 1/4" |
| 27 | HB5638 | PUMP HOSE BARB 3/8" |
| 28 | HBEL1814 | HOSE BARB ELBOW 1/8" MPT x 1/4" BARB |
| 29 | DHB38 | POLY FLAT SEAT HOSE BARB 3/8" |
| 30 | N34GH | POLY GARDEN HOSE SWIVEL NUT |
| 31 | STR34 | STRAINER |
| 32 | A34M34G | POLY HEX NIPPLE GH x 3/4" MPT |
| 33 | GHYV34 | GARDEN HOSE Y VALVE |
| 34 | ABR15 | REPLACEMENT AIR BOWL |
| 35 | AFR15 | REPLACEMENT AIR FILTER ELEMENT |
| 36 | HBEL1438 | HOSE BARB ELBOW 1/4" MPT x 3/8" BARB |
| 37 | AG100 | AIR PRESSURE GAUGE |
| 38 | R15 | AIR PRESSURE REGULATOR/FILTER (INCLUDES ABR15 & AFR15) |
| 39 | FI-25PL1 | MOUNTING PLATE FOR FI-25 CONTROL PANEL |



FI-25

SAFETY INSTRUCTIONS

1. ALWAYS WEAR SAFETY GOGGLES AND PROTECTIVE GLOVES WHILE OPERATING FOAM UNIT.
2. AVOID CONTACT OF CLEANING AGENT WITH SKIN AND EYES. IF CONTACT OCCURS RINSE AFFECTED AREA WITH WATER FOR 15 MINUTES AND GET MEDICAL ATTENTION IF NEEDED.
3. AFTER USE, RELIEVE ALL REMAINING PRESSURE IN THE SYSTEM BY UNPLUGGING THE AIR LINE FROM THE UNIT (ITEM# 9) AND OPENING THE DISCHARGE BALL VALVE (ITEM# 5).
4. NEVER POINT THE DISCHARGE WAND AT ANYONE.
5. BE SURE TO FLUSH THE UNIT WITH FRESH WATER FOR 5 MINUTES WHEN SWITCHING FROM AN ALKALINE TO AN ACID OR AN ACID TO AN ALKALINE.

OPERATION INSTRUCTIONS

1. FILL THE DRUM WITH COMBINATION OF WATER AND FOAMING CHEMICAL, 4 - 6 OZ. PER GALLON OF WATER IS RECOMMENDED.
2. WITH BALL VALVE (ITEM# 5) IN THE CLOSED POSITION, PLUG AN AIR LINE INTO THE AIR FITTING (ITEM# 9).
3. SLOWLY OPEN THE BALL VALVE (ITEM# 5).
4. ADJUST THE **WET FOAM / DRY FOAM** VALVE (ITEM# 18) TO DESIRED WETNESS OR DRYNESS OF FOAM FOLLOWING THE STEPS BELOW:
 - A. CLOSE VALVE COMPLETELY IN CLOCKWISE DIRECTION.
 - B. OPEN VALVE IN COUNTER-CLOCKWISE DIRECTION 3 COMPLETE TURNS.
 - C. CONTINUE TO OPEN VALVE IN 1/4 TURN INCREMENTS ALLOWING 30 SECONDS BETWEEN ADJUSTMENTS UNTIL PROPER CONSISTENCY OF FOAM IS ACHIEVED.
 - D. IF THE VALVE IS OPEN TOO FAR IT CAN CAUSE THE PUMP TO STALL OUT. IF THIS OCCURS BEGIN AGAIN WITH STEP A.

AFTER USE INSTRUCTIONS

1. IT IS RECOMMENDED TO RUN A GALLON OF FRESH WATER THROUGH THE UNIT AFTER EACH USE. WITH THE DISCHARGE BALL VALVE (ITEM# 5) OPEN RUN THE UNIT UNTIL THE GALLON OF WATER HAS GONE THROUGH THE UNIT AND DISCHARGED OUT OF THE DISCHARGE HOSE.
2. DISCONNECT THE AIR LINE FROM THE AIR FITTING (ITEM# 9) AND RELIEVE ANY REMAINING PRESSURE IN THE SYSTEM BY HAVING THE DISCHARGE BALL VALVE (ITEM# 5) IN THE OPEN POSITION.
3. CLOSE THE DISCHARGE BALL VALVE (ITEM# 5) WHEN ALL THE PRESSURE IS RELIEVED FROM THE SYSTEM.

ACCEPTABLE PRODUCTS

- ALKALINE CLEANERS
- CAUSTIC CLEANERS
- SANITIZERS
- ACIDS

UNACCEPTABLE PRODUCTS

- D-LIMONENE (OK WITH VITON PUMP ONLY)
- ALL HYDROCARBONS



FI-25

TROUBLE SHOOTING INSTRUCTIONS

1. CHECK FOR PROPER AIR PRESSURE (60 PSI OR MORE INTO UNIT, 60 PSI ON AG100 (ITEM# 37)).
2. CHECK AIR INLET FILTER BOWL (ITEM# 34) FOR DEBRIS SUCH AS WATER, OIL, OR RUST PARTICLES. CLEAN BY PULLING DOWN ON THE BOTTOM OF THE FILTER.
3. CHECK FOR PLUGGED STRAINER (ITEM# 31). REPLACE STRAINER IF NECESSARY, **STRAINER MUST BE USED**.
4. IF **WET FOAM/DRY FOAM** VALVE (ITEM# 18) IS OPEN TOO FAR THE PUMP WILL NOT CYCLE PROPERLY DUE TO LACK OF AIR PRESSURE. IF THIS OCCURS, RESET VALVE AS DESCRIBED IN OPERATING INSTRUCTION #4.
5. MAKE SURE PROPER FOAMING CHEMICAL AND CONCENTRATION IS BEING USED.
6. IF AIR PASSES THROUGH THE PUMP (ITEM# 24) WITHOUT CYCLING, REPLACE PUMP.
7. IF FOAM SOLUTION BACKS UP INTO AIR FILTER (ITEM# 34) THE CHECK VALVE (ITEM# 20) NEEDS TO BE REPLACED.
8. IF FOAM COMES OUT WET NO MATTER WHERE THE **WET FOAM/DRY FOAM** VALVE IS POSITIONED THE CHECK VALVE (ITEM# 20) MAY NEED TO BE REPLACED.
9. IF UNIT FOAMS AT A REDUCED PRESSURE:
 - A. CHECK THE AIR SUPPLY INTO THE UNIT. IF IT IS LOW, TURN THE FOAM UNIT OFF UNTIL THE COMPRESSOR CAN CATCH UP.
 - B. IF THE AIR SUPPLY IS 60 PSI OR ABOVE, CHECK THE AIR GAUGE (ITEM# 37) WHICH SHOULD READ NEAR 60 PSI. IF THE GAUGE IS MORE OR LESS THAN 60 PSI, ADJUST THE PRESSURE BY TURNING THE KNOB ON THE TOP OF THE REGULATOR (ITEM# 38).
 - C. IF BOTH OF THE ABOVE ARE O.K., THE STAINLESS STEEL MIXING MESH COULD BE PLUGGED. REMOVE AND CLEAN IT FOLLOWING THE INSTRUCTIONS BELOW:
 1. BE SURE THE FOAM UNIT IS NOT PLUGGED INTO AN AIR SUPPLY AND BE SURE TO RELIEVE ALL STORED PRESSURE IN THE UNIT BY HAVING THE DISCHARGE BALL VALVE (ITEM# 5) IN THE OPEN POSITION.
 2. REMOVE THE HOSE BARB (ITEM# 8) FROM THE TEE (ITEM# 22).
 3. REMOVE THE SCREEN AND THE MIXING MESH FROM INSIDE THE TEE (ITEM# 22).
 4. CLEAN ANY PARTICLES FROM THE MIXING MESH AND THE SCREEN.
 5. REPLACE THE MIXING MESH THEN THE SCREEN INTO THE BACK OF THE TEE (ITEM# 22) AND SCREW THE HOSE BARB (ITEM# 8) BACK INTO THE TEE (ITEM# 22). (IT IS RECOMMENDED TO USE A PIPE THREAD SEALANT WHEN REINSTALLING THE HOSE BARB INTO THE TEE). **NOTE:** IF THE MIXING MESH HAS A LOT OF FOREIGN PARTICLES IN IT, MAKE SURE THE STRAINER IS STILL IN PLACE (ITEM# 31).